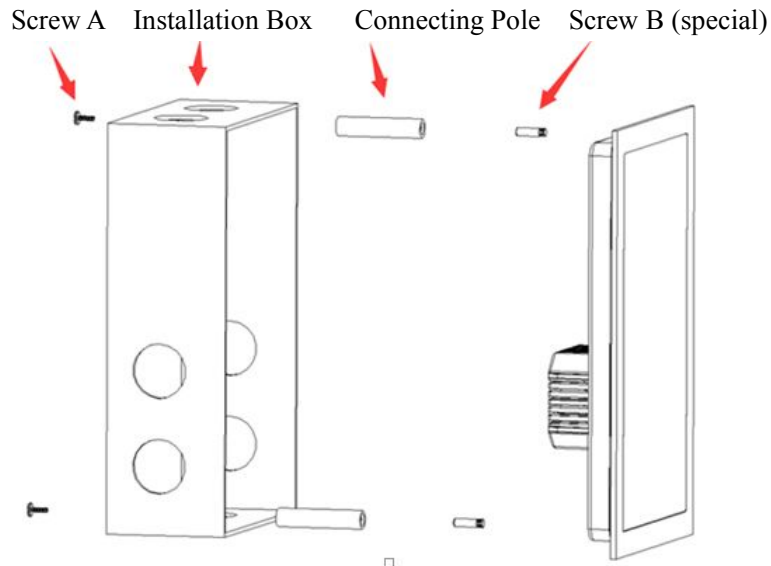


5" TP Installation Manual

(Flush Mounted Version)

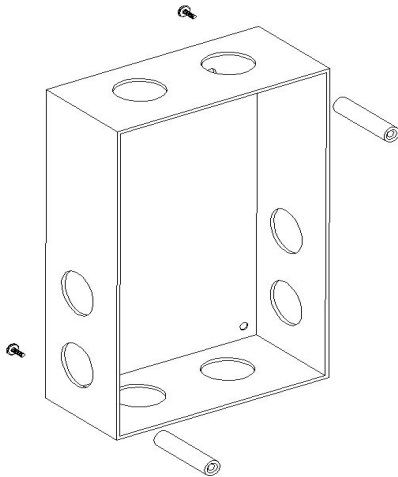
Parts of the Flush Mounted TP



1、 Installation Box Connection

Connect the **Connection Pole** onto the **Installation Box** with **Screw A**, as below:

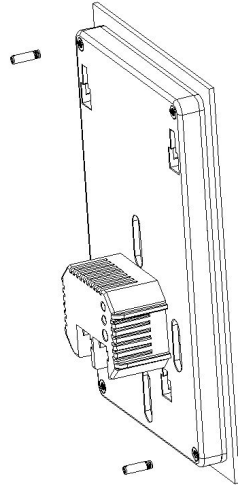
- NOTE: a. Normally Connection Pole with two opposite angles will be enough
b. Holes of Installation Box: Altogether 6 holes, four at corners are for Connection Pole fixation, the rest two in the middle for fixation of **Installation Box** on the wall



2、 TP Installation

Fix **Screw B (special)** onto back of TP, see picture below:

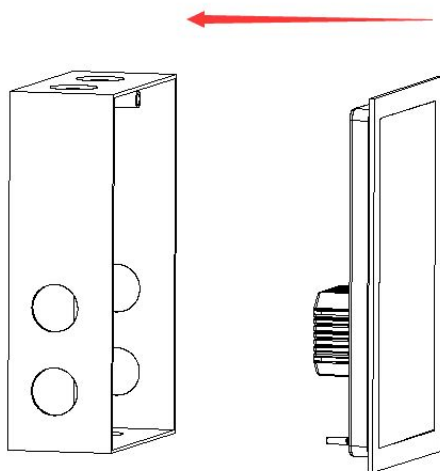
NOTE: a. Normally two will be enough, correspondent with that of the **Installation Box**
b. When **Screw B** is fixed, there's will still be some screw thread showing at the end of B, that's **NORMAL, NO SCREWING ON WITH FORCE.**



3、 Installation to the Wall

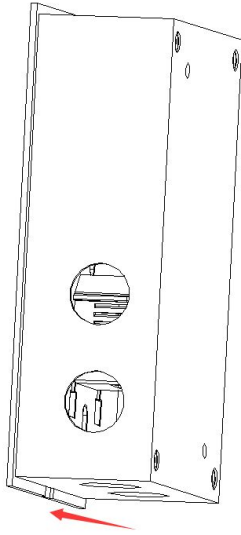
Aim **Screw B (special)** at **Connection Pole**, **PUSH INSIDE** the TP and the installation is done.

Note: Before you push the TP into the Installation Box, the latter should have been fixed in the wall already.



4、Disassembling

There's a disassembling slot down in the back of TP for the convenience of disassembling.



Dismounting Slot

Thank you very much and if you still have any problem for installation or understanding please kindly write to: jack_zhan@video-star.com.cn.